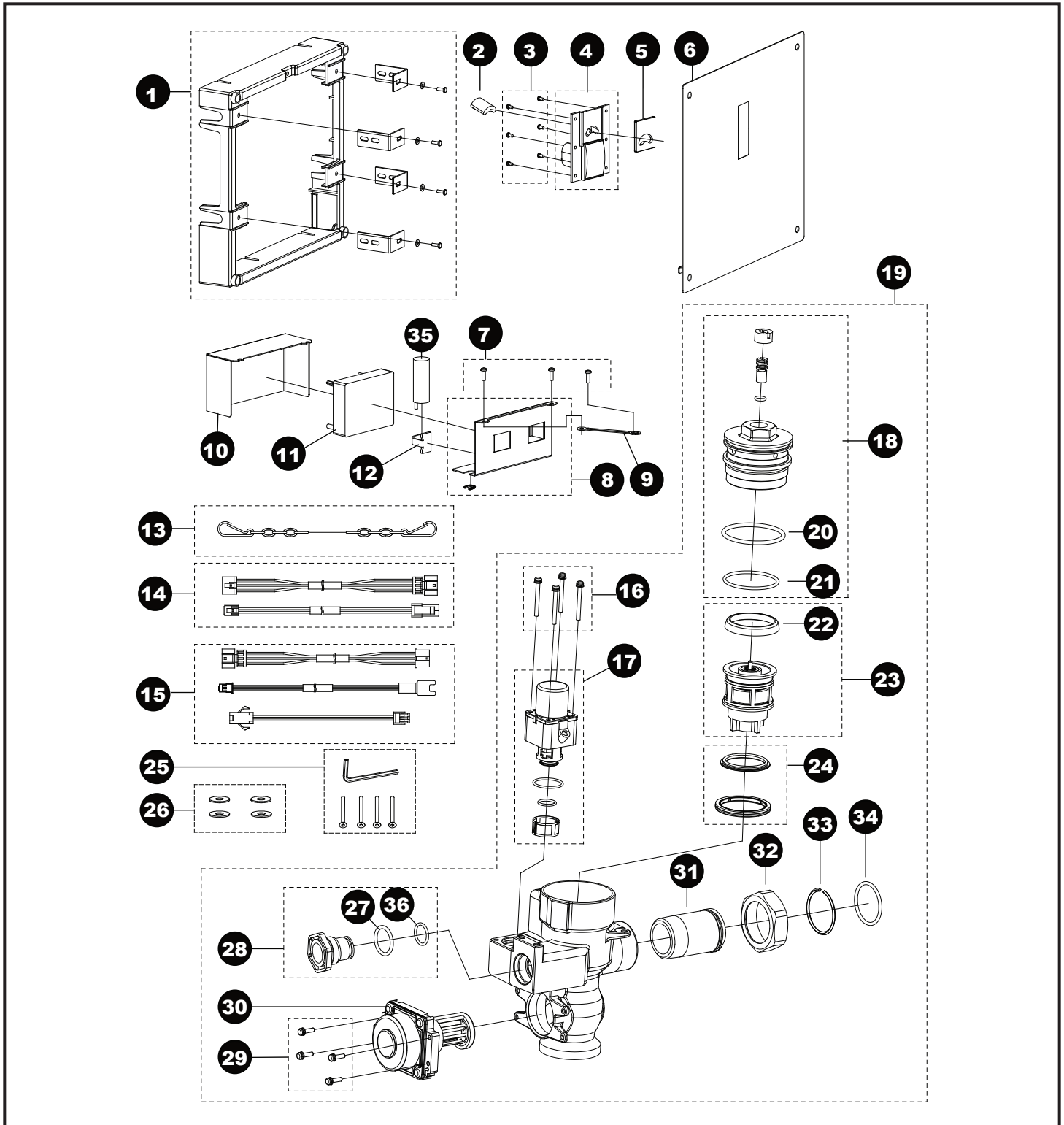


**EcoPower® Flush Valve,
Urinal, Concealed Large, 0.5 Gpf**

TEU2LAR(X)#SS
TEU2LA(X)11#SS
TEU2LA12#SS
TEU2LA(X)21#SS



**EcoPower® Flush Valve,
Urinal, Concealed Large, 0.5 Gpf**

TEU2LAR(X)#SS
 TEU2LA(X)11#SS
 TEU2LA12#SS
 TEU2LA(X)21#SS

Item	Part	Description
1	TH559EDV341	Frame assembly, large cover
2	THP3187	Sensor
3	THP3215	Screw, sensor bracket, concealed (6/bag)
4	THP3214	Touch-button assembly
5	THP3213	Glass, sensor window, concealed
6	THP3211	Cover plate, large
7	THP3204	Screws, valve body, cover (5/bag)
8	THP3217	Housing, controller, concealed
9	THP3218	Mount stay, controller box
10	THP3216	Cover, box, controller, concealed
11	THP3198	Controller unit, A
12	TH559EDV517	Clamp set (10/bag)
13	TH559EDV345	Chain, cover plate
14	THP3221	Harness, concealed (2 type/bag)
15	THP3209	Extension harness (3 type/bag)
16	THP3192	Screw, solenoid valve, (4/bag)
17	THP3190R	Solenoid valve assembly
18	THP3188	Valve cap assembly
	THP3188X	Valve cap assembly for Reclaimed Water
19	THP3228	Valve assy, concealed, urinal
	THP3228X	Valve assy, concealed, urinal for Reclaimed Water
20	THP3189	O-ring, piston cap, top, large (10/bag)
21	TH305SV112	O-ring, valve cap botm (10/bag)
22	TH305SV103	U-packing, piston (10/bag)
23	TH323V104R	Piston assembly
24	TH321	Seat packing set
25	THP3233	Screw w/wrench set
26	THP3219	Washer, plastic (4/bag)
27	THP3013	O-ring, cap (10/bag)
28	THP3220	Plug
29	TH559EDV505	Screw, EcoPower generator (4/bag)
30	THP3234	EcoPower generator, urinal
31	TH305SV114	Tailpiece
32	TH305SV113	Nut, tailpiece/angle stop
33	TH305SV105	Locking ring set, tailpiece (10/bag)
34	TH305SV106	O-ring, tailpiece/angle stop
35	THP3053	Back-up battery
36	THP3242	O-ring (1/bag)

Vacuum Breaker Sets

- VB13RB-11 Back Spud, 3/4" Outlet, Concealed
- VB9RB-12 Top Spud, 3/4" Outlet, Concealed
- VB13RB-21 Back Spud, 1-1/4" Outlet, Concealed
- VB1311X#RB Back Spud, 3/4" Outlet, Concealed for Reclaimed Water
- VB1321X#RB Back Spud, 1-1/4" Outlet, Concealed for Reclaimed Water

Note: for additional information, refer to the individual vacuum breaker parts sheets.